

# New Products

## Copy Stands & Lighting Equipment



Copyizer and Surface Lighting Units with SMD LEDs



Copy One Flash and Continuous Lighting System



RSP autoDrive 1.5 Column with Positioning Control



exe.cutive LED Illumina Base Plate

Code number 5244

For use with Kaiser R1 system columns and camera arms. Description see right-hand side.

Facts

Specs

Options

Made in Germany



Copyizer exe.cutive LED

### Copyizer

Code number

5215

#### STAND

Consisting of illumina base plate with column and camera arm.

#### Illumina base

Integrated transmitted light source with daylight SMD LEDs, cm and inch scales, height-adjustable feet.

Outer dimensions	63 x 55 cm / 24.8 x 21.7 in.
Serviceable illuminated area	50.6 x 36 cm / 19.9 x 14.2 in. (> tabloid format)
Light source	270 SMD LEDs, 5600 Kelvin, CRI = 95
cd/m <sup>2</sup> on illuminated surface	8300
Flicker-free	●
Dimmable	●
Base with spirit level	●

Optional accessories

RB 520 AS surface lighting unit (5279), pressure plate, made of crystal glass (5292), metal plate (5294)

#### Column

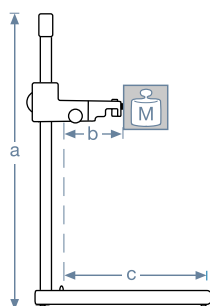
Made of special aluminum tubing. High stability, vibration-resistant. 70 mm/2.8" wide. cm and inch scales. Holding arm made of die-cast aluminum. Hand crank for height adjustment.

Height	100 cm / 39.4 in.
Height adjustment with weight compensation	●

#### Camera arm

Type RTP (5524), detachable/interchangeable

Adjustability	horizontal
Camera mount	1/4" / 3/8", interchangeable
Camera positioning device	●



a	106 cm / 41.7 in.
b	13.5 - 21.8 cm / 5.3 - 8.6 in.
c	59 x 43 cm / 23.2 x 16.9 in.
M	4 kg / 8.8 lbs. max.

## Surface Lighting



Made in Germany



Made in Germany

**RB 520 AS**

**RB 560 AL**

Code number

5279

5640

### LIGHTING UNIT

Consisting of two LED lights and lamp arms.

Suitable for

Copylizer 5215 and illumina base plate 5244

R1 and RD system copy stands

### Lights

Light banks for even and soft illumination. Solid aluminum section.

Light source

SMD-LEDs <sup>④</sup>, daylight-type, color temperature 5600 Kelvin, color rendition index (CRI) = 95, angle of radiation 100°, flicker-free

Number of SMD LEDs

2 x 200

2 x 272

Illumination\*  
without diffusion screen  
with diffusion screen

5600 lux  
5000 lux

8000 lux  
6800 lux

Light emitting area

37 x 16.5 cm / 14.6 x 6.5 in.

56 x 16.5 cm / 22 x 6.5 in.

Lights dimmable  
individually or jointly

●

●

Illuminated display <sup>②</sup>

●

●

Detachable  
diffusion screen

●

●

### Lamp arms

Vertical bars: steel tube with square cross section, 20 mm / 0.8 in. edge dimension. With scale.  
Horizontal bars: round aluminum bar, 20 mm / 0.8 in. diameter. Tilt/angle adjustable by lock joint.

Attachment

to Copylizer or illumina base plate <sup>①</sup>

with clamp holders to boards up to 48 mm / 1.9 in. thick

Height continuously  
adjustable <sup>③</sup>

●

●

Lights can be shifted <sup>③</sup>

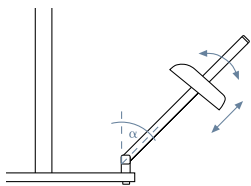
●

●

Lights can be swiveled <sup>③</sup>

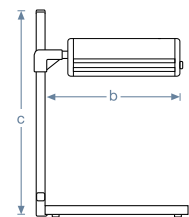
●

●



α 0 - 90°

0 - 72°



b 51.5 - 66 cm / 20.3 - 26 in.

68.5 - 83 cm / 27 - 32.7 in.

c 76 cm / 29.9 in.

76 cm / 29.9 in.

\* Based on uniform illumination of a 16.5 x 11.5 in. flat subject.



## Surface Lighting



Made in Germany



Made in Germany

### CopyOne Lamp Head\*\*

5671

Combined flash/continuous light system with flash tube and SMD LEDs, both with daylight quality. A Hensel flash generator - e.g. Nova D 1200 (5662) is required for operation.

The high light intensity with flash light mode provides for short exposure times without camera shake and eliminates the impact of distracting light sources. The continuous light mode can be used for video and photo shots. Furthermore the SMD LEDs serve as a setting light with flash operation and are dimmed proportionately to the flash light.

#### Flash light mode

Max. flash power:	1200 Ws
Setting range:	up to 8 f-stops, 1/10 steps (depending on generator)
Flash duration:	1/1000 s - 1/4500 s (depending on generator and flash power)
Color temperature:	5400 Kelvin
Color rendition index (CRI):	> 96

#### Available versions

5671 CopyOne Lamp Head, for mounting on a stand

5660 CopyOne Repro Kit: Two CopyOne Lamp Heads, incl. lamp arms (see right-hand side)

#### Accessories

5662 Hensel Nova D 1200 Flash Generator <sup>8</sup>, with built-in radio receiver

5664 Hensel Strobe Wizard Plus Radio Transmitter <sup>5</sup>, for 5662

5665 Barn Doors <sup>6</sup> for one CopyOne Lamp Head

5667 Hensel Adapter Cable, round plug to 20 pin long jack

5668 Hensel Flash Extension Cord with round plugs, 5 m (16.4 ft.) long

5594 Polarizers 64 x 21 cm, 2 pieces

\*\* Jointly developed by Kaiser Fototechnik and Hensel-Visit.

### CopyOne Repro Kit\*\*

5660

Consisting of two CopyOne flash and continuous light lamp heads and lamp arms.

RD and rePRO system copy stands

Light banks for even and soft illumination.

2 x flash tube (specs see left-hand side) and 2 x 126 SMD LEDs, daylight, color temperature 5400 Kelvin, CRI = 95, angle of radiation 110°, flicker-free

2000 lux

63.5 x 20.5 cm / 25 x 8.1 in.



5 m / 16.4 ft., with round plug

Hensel flash generator, such as Nova D 1200 (accessory) <sup>8</sup>

Steel tube with square cross section, edge dimension 25 mm / 1 in. Fastening with clamp holders to boards up to 55 mm / 2.2 in. thick. Vertical arms with scale.



0 - 90°

75 cm / 29.5 in.

64 - 91 cm / 25.2 - 35.8 in.

87 cm / 34.3 in.

\* Based on uniform illumination of a 16.5 x 11.5 in. flat subject.

Code number

#### LIGHTING UNIT

Suitable for

#### Lamp heads

Light sources

Illuminance of LEDs\*

Light emitting area

Lights jointly controllable/dimmable

Diffusion screen <sup>6</sup>

Pivot bracket with mount for tripods <sup>7</sup>

Connecting cable

Power supply/control

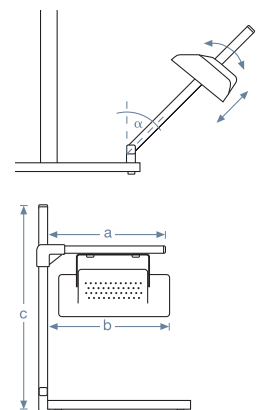
#### Lamp arms

Tilt/angle adjustable by lock joint

Height continuously adjustable

Lights can be shifted

Lights can be swiveled



5

6

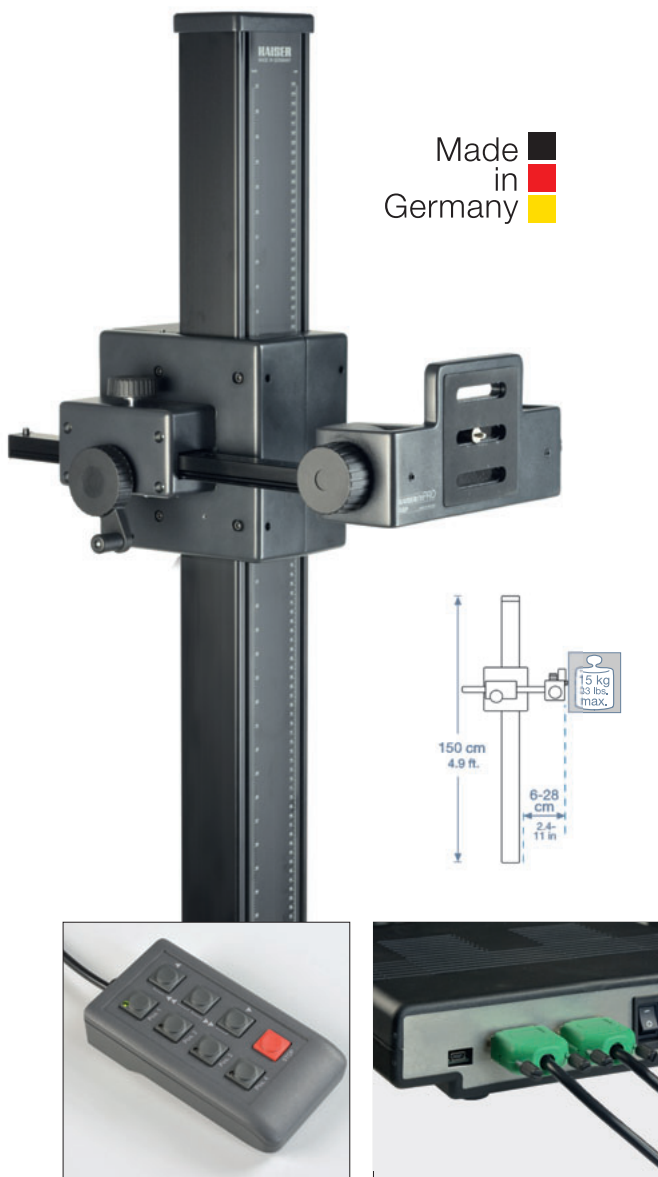
7

8



# RSP Column with Positioning Control

The well-proven RSP Column (5612) is now also available as RSP autoDrive 1.5 (5613) with positioning control. Four height positions can be saved easily via the new cable remote control and recalled accurately with one keystroke. The repeat accuracy is 1/100 millimeter. Alternatively there is the possibility of a computer-controlled operation.



	<b>RSP autoDrive 1.5</b>
Code number	5613
<b>COLUMN</b>	Consists of column with camera carrier, cable remote control and control box
Product line	rePRO
<b>Column</b>	Multi chamber aluminum section, matt black anodized, printed cm and inch scales. Fastening on table frame 5615 or with wall mount 5614.
Height / Cross-section	1.50 m / 12 x 8 cm (WxD)
<b>Camera carrier</b>	Aluminum die-cast
Height adjustment	Motorized, two speeds. Automatic addressing of saved height positions is possible. Repeat accuracy 1/100 millimeter.
Adjustment speed	Constant, independent of load
Drive	Via worm-gear, self-limiting
Operation	Cable remote control or via computer (software in preparation)
End switch	Automatic, by magnetic sensor
Horizontal adjustment	Parallel guides with friction drive, hand cranks and locking screws on left and right side
Camera mounting plate	13 x 13 cm / 5.1 x 5.1 in., tiltable +/- 90°. Build-in spirit level. Mounting thread: 3/8" / 1/4", exchangeable, horizontally adjustable
<b>Cable remote control</b>	Slow and fast travel speed up and down, four keys for saving height positions, red emergency stop key
<b>Control box</b>	ON/OFF switch, interface for computer-controlled operation (software in preparation)

Lighting equipment and lamps as described in this brochure are marketed for the primary purpose of illumination for image capture and not for household lighting.

**USA**  
MAC Group  
75 Virginia Road,  
North White Plains, NY 10603  
Tel +1 914 3473300  
Fax +1 914 3473309  
info@kaiserfotos.com  
www.kaiserfotos.com

**United Kingdom**  
Fotospeed Distribution  
Jay House Ltd.  
6B, Park Lane Industrial Estate  
Park Lane, Corsham  
Wilts, SN13 9LG  
Tel +44 1249 714 555  
Fax +44 1249 714 999  
info@fotospeed.com  
www.fotospeed.com

**Australia**  
Specular Pty Ltd.  
Sydney Showroom:  
Suite 18, 112 McEvoy Street  
Alexandria, NSW 2015  
Tel +61 2 79223833  
kaiser@specular.com.au  
www.specular.com.au

**New Zealand**  
Photo Warehouse Ltd.  
175 GT North Rd.  
Ponsonby-Auckland  
Tel +64 9 3032148  
Fax +64 9 3099721  
sales@photowarehouse.co.nz  
www.photowarehouse.co.nz

**Kaiser Fototechnik GmbH & Co. KG**  
Im Krötenteich 2 · 74722 Buchen · Germany

Tel.: +49 6281 4070  
Fax: +49 6281 40755  
www.kaiser-fototechnik.de  
info@kaiser-fototechnik.de

